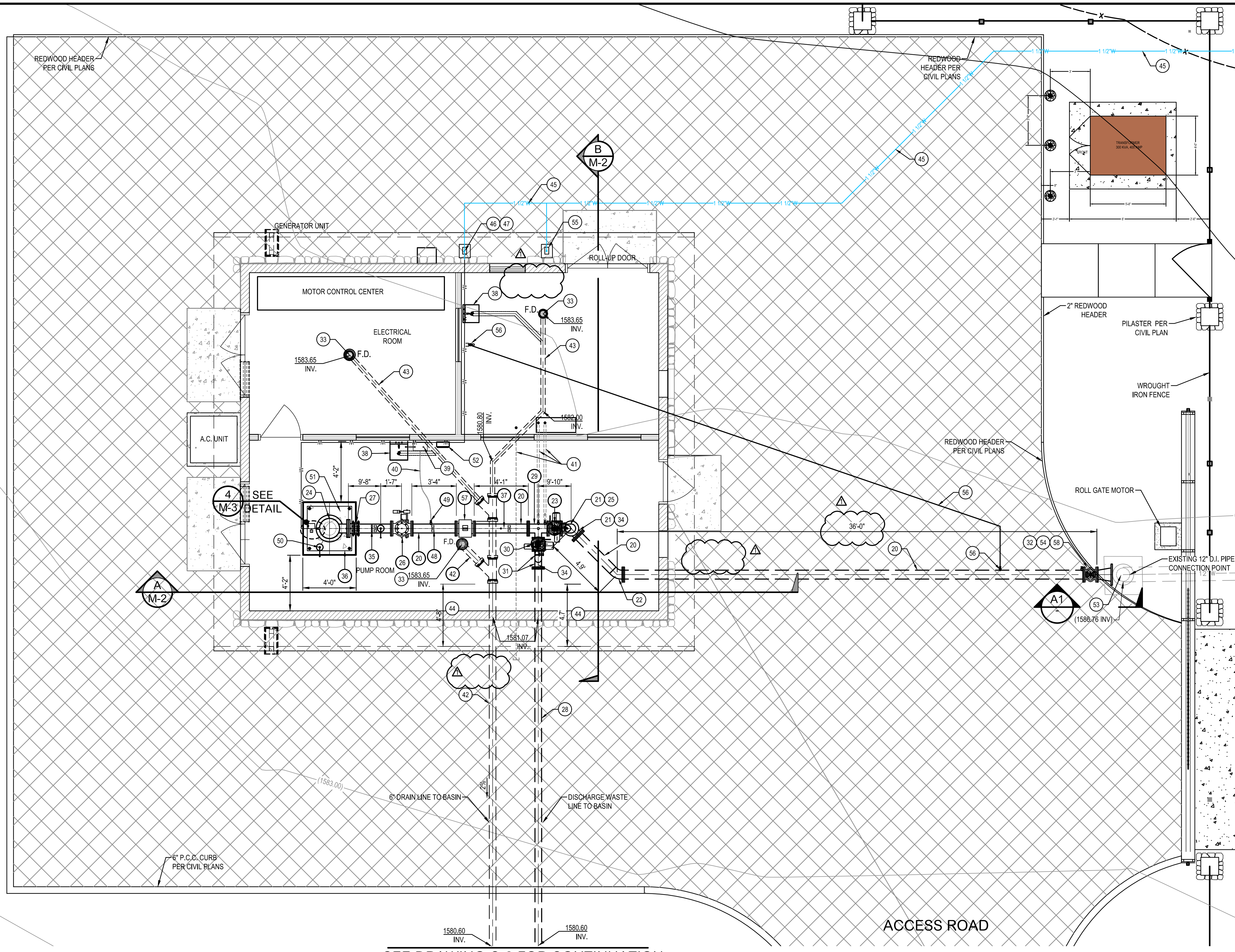
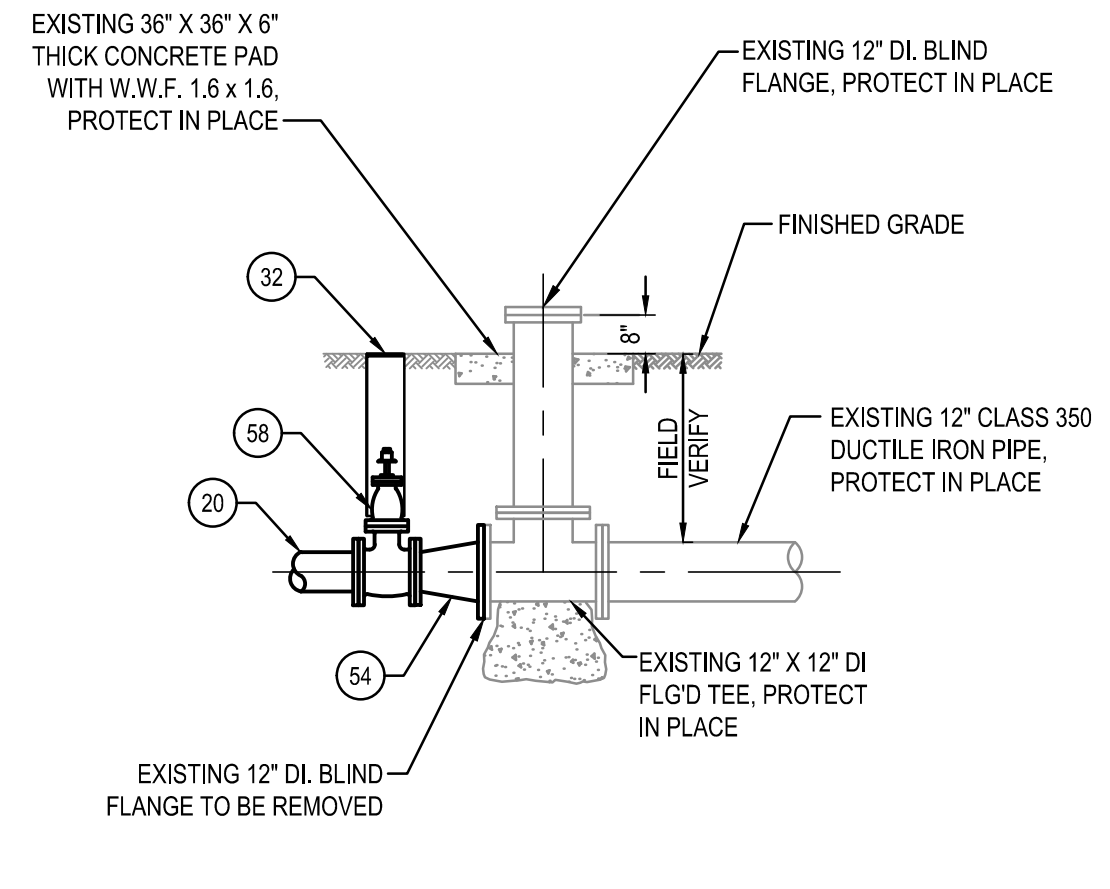


X:\2020\2020155-00-TWWD-MIRAGRAND WELL EQUIPPING\DWG\SHEETS\2020155-00-SHT 13 M-1 WELLPMPINGPLAN.DWG (5/19/21 9:49:07AM)



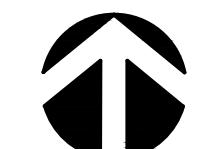
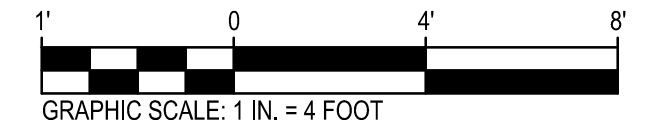
CONSTRUCTION NOTES:

- 20 INSTALL 8" DIAMETER STEEL PIPE, STD WALL THICKNESS.
- 21 INSTALL 8"-90° STEEL BEND, FLG x FLG.
- 22 INSTALL 8"-45° STEEL BEND, FLG x PE.
- 23 INSTALL 8" GATE VALVE, FLG x FLG WITH AUMA MOTOR ACTUATOR.
- 24 INSTALL PUMP AND MOTOR PER SPECIFICATIONS.
- 25 INSTALL 2" AIR RELEASE VALVE ASSEMBLY. SEE DETAIL 1 ON DRAWING M-4.
- 26 INSTALL 8" SWING TYPE LEVER CHECK VALVE, FLG x FLG. MULLER, A-2602-6-02.
- 27 INSTALL 8" DISMANTLING JOINT.
- 28 INSTALL 6" STEEL PIPE, 1/4" WALL THICKNESS OR 6" PVC.
- 29 INSTALL 8" x 6" x 8" REDUCING TEE, FLG x FLG x FLG.
- 30 INSTALL 6" GATE VALVE, FLG x FLG WITH AUMA MOTOR ACTUATOR.
- 31 INSTALL 6"-90° STEEL BEND, FLG x PE.
- 32 INSTALL VALVE CAN AND COVER PER DETAIL 2 ON DRAWING M-4.
- 33 INSTALL 4" FLOOR DRAIN. SEE DETAIL 7 ON DRAWING M-5.
- 34 PROVIDE PIPE PENETRATION PER DETAIL 5 ON DRAWING M-5.
- 35 INSTALL PRESSURE SWITCH AND GAUGE PER DETAIL 3 ON DRAWING M-5.
- 36 INSTALL 4" SQUARE 3/4" STEEL WELDED BASE PLATE.
- 37 INSTALL 1" WELDED-OUT LET PER DETAIL 3 ON DRAWING M-6.
- 38 INSTALL 22.8" L x 23.5" W x 14" D UTILITY SINK AND FAUCET PER DETAIL 2 ON DRAWING M-6.
- 39 INSTALL TURBIDITY METER ASSEMBLY. SEE DETAIL 6 ON DRAWING M-5.
- 40 INSTALL 3/4" PVC CONDUIT AND 1/2" PVC CONDUIT.
- 41 INSTALL 1" PVC CONDUIT.
- 42 INSTALL 6" PVC DRAIN PIPE, SDR 35.
- 43 INSTALL 4" PVC DRAIN PIPE, SDR 35.
- 44 INSTALL 4'-6" L x 2'-0" CONCRETE INCASING. SEE DETAIL 1 ON DRAWING M-2.
- 45 INSTALL 1 1/2" DOMESTIC COOPER PIPE LINE.
- 46 INSTALL 1" DOMESTIC COOPER PIPE LINE.
- 47 INSTALL 1" WATER VALVE AND VALVE BOX.
- 48 INSTALL PIPE SUPPORT PER DETAIL 6 ON DRAWING M-5.
- 49 INSTALL 1" WELD-OUT LET, SAMPLE PORT.
- 50 INSTALL ENO SERIES 700 ENO SONIC LEVEL SENSOR ON 2" TUBE.
- 51 PROVIDE SECOND SPARE 2" TUBE AND CAP.
- 52 INSTALL ENO REMOTE READOUT ON WALL NEXT TO OR NEAR TURBIDITY METER REMOTE READOUT.
- 53 REMOVE PORTION OF INTERFERING PIPE AND CONCRETE AND CONNECT AS NECESSARY.
- 54 INSTALL 12" X 8" DI REDUCER FLG x FLG.
- 55 INSTALL 2" WATER SERVICE, BALL VALVE.
- 56 INSTALL 2" CORP STOP, 2" PVC PIPE, HOSE BIB. PROVIDE 12" x 12" WARNING SIGN ADVISING OF NON-POTABLE WATER, DO NOT DRINK
- 57 INSTALL 12" ABB MAGNETIC FLOW METER PER SPECIFICATIONS.
- 58 INSTALL 8" GATE VALVE, FLG x FLG.



SECTION CONNECTION A1
NOT TO SCALE

AS-BID PLANS



SEE DRAWING C-3 FOR CONTINUATION

SITE PLAN
SCALE: 1"=4'-0"

1-800-422-4133
DIG ALERT
UNDERGROUND SERVICE ALERT
PLAY IT SAFE. DIAL BEFORE YOU DIG!
AT LEAST TWO WORKING DAYS PRIOR TO EXCAVATING

REV	DESCRIPTION	ENGR	DATE	APPD	DATE



PLANS PREPARED BY:
CIVILTEC engineering inc.
General Civil, Municipal, Water and Wastewater Engineering, Planning, Construction Management and Surveying
118 West Lime Avenue
Monrovia, Ca. 91016
Phone: (626) 357-0588
Fax: (626) 303-7957

THREE VALLEYS MUNICIPAL WATER DISTRICT
1021 E. MIRAMAR AVENUE
CLAREMONT, CA 91711
(909) 621-5568

DESIGNED BY: CSH
DRAWN BY: JM / MM / JG

CHECKED BY: CSH
DATE: APRIL 2021

SCALE: AS SHOWN
FILE NO.:

THREE VALLEYS MUNICIPAL WATER DISTRICT
MIRAGRAND WELL EQUIPPING IMPROVEMENTS
WELL BUILDING PLAN AND PIPING

PROJECT NO. **58463**
DRAWING NO. **M-1**
SHEETS NO. **13** OF **49**