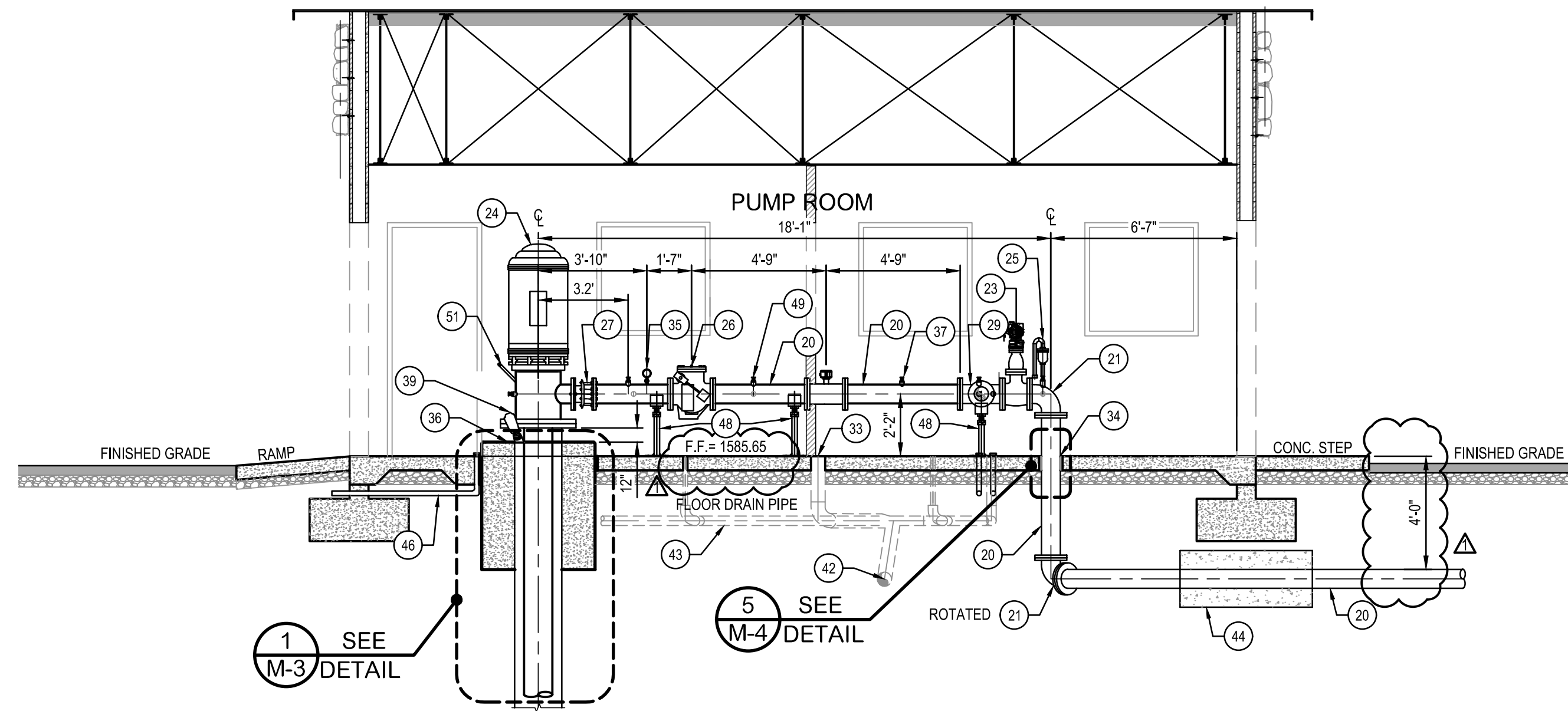
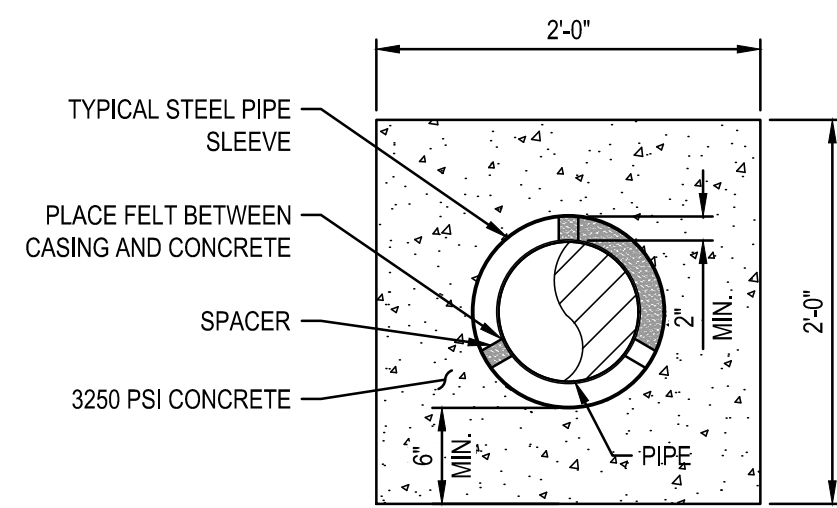


CONSTRUCTION NOTES:

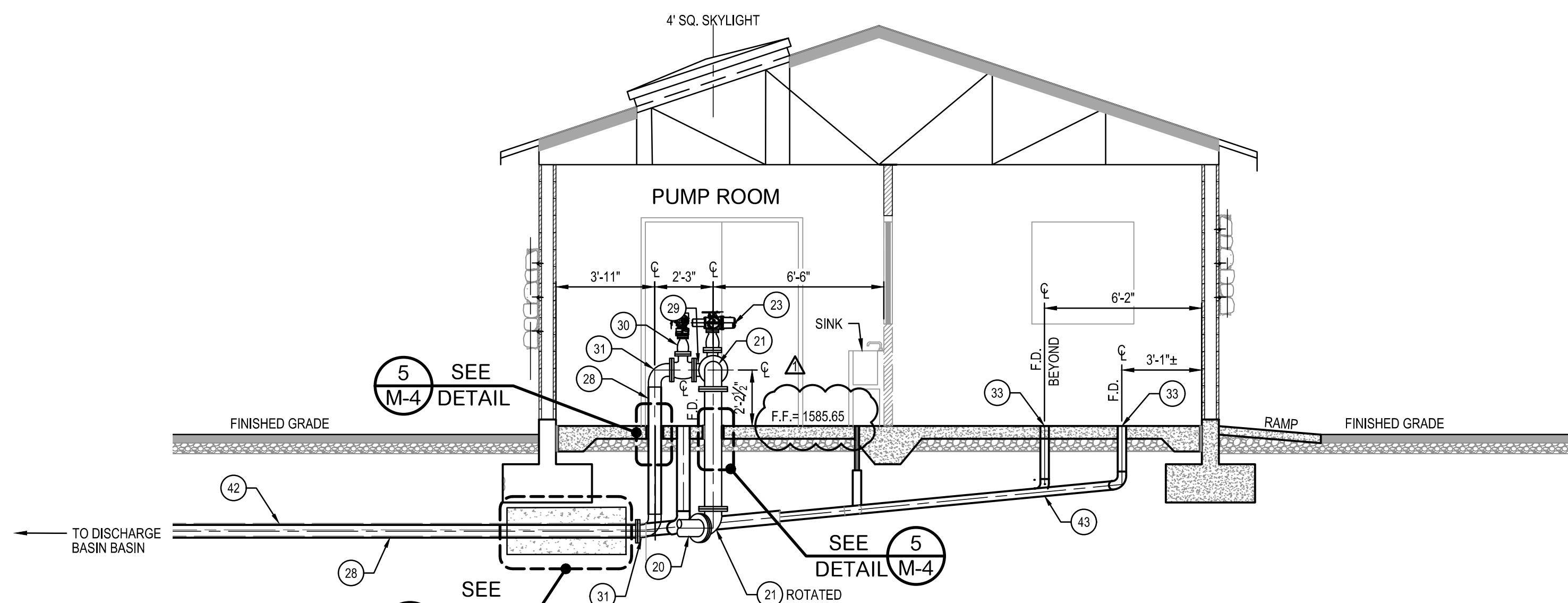
- 20 INSTALL 8" DIAMETER STEEL PIPE, STD WALL THICKNESS.
- 21 INSTALL 8"-90° STEEL BEND, FLG x FLG.
- 22 INSTALL 8"-45° STEEL BEND, FLG x PE.
- 23 INSTALL 8" GATE VALVE, FLG x FLG WITH MOTOR ACTUATOR.
- 24 INSTALL PUMP AND MOTOR PER SPECIFICATIONS.
- 25 INSTALL 2" AIR RELEASE VALVE ASSEMBLY. SEE DETAIL 1 ON DRAWING M-5.
- 26 INSTALL 8" SWING CHECK VALVE, FLG x FLG.
- 27 INSTALL 8" DISMANTLING JOINT.
- 28 INSTALL 6" STEEL PIPE, 1/4" WALL THICKNESS.
- 29 INSTALL 8" x 6" x 8" REDUCING TEE, FLG x FLG x FLG.
- 30 INSTALL 6" GATE VALVE, FLG x FLG WITH MOTOR ACTUATOR.
- 31 INSTALL 6"-90° STEEL BEND, FLG x PE.
- 32 INSTALL VALVE CAN AND COVER PER DETAIL 2 ON DRAWING M-5.
- 33 INSTALL 4" FLOOR DRAIN. SEE DETAIL 7 ON DRAWING M-5.
- 34 PROVIDE PIPE PENETRATION PER DETAIL 5 ON DRAWING M-5.
- 35 INSTALL PRESSURE SWITCH AND GAUGE PER DETAIL 3 ON DRAWING M-5.
- 36 INSTALL 4" SQUARE 3/4" STEEL WELDED BASE PLATE.
- 37 INSTALL 1" WELDED-OUT LET PER DETAIL 3 ON DRAWING M-6.
- 38 INSTALL 22.8" L x 23.5" W x 14" D UTILITY SINK AND FAUCET PER DETAIL 2 ON DRAWING M-6.
- 39 INSTALL ENO REMOTE READOUT ON WALL NEXT TO OR NEAR TURBIDITY METER REMOTE READOUT.
- 40 INSTALL 3/4" PVC CONDUIT AND 1/2" CHEMICAL LINE.
- 41 INSTALL 1" PVC CONDUIT FOR FUTURE CHEMICAL LINE.
- 42 INSTALL 6" PVC DRAIN PIPE, SDR 35.
- 43 INSTALL 4" PVC DRAIN PIPE, SDR 35.
- 44 INSTALL 4'-6" L x 2'-0" CONCRETE IN CASING. SEE DETAIL 1 HEREON.
- 45 INSTALL 2" DOMESTIC COOPER PIPE LINE.
- 46 INSTALL 1" DOMESTIC COOPER PIPE LINE.
- 47 INSTALL 1" WATER VALVE AND VALVE BOX.
- 48 INSTALL PIPE SUPPORT PER DETAIL 6 ON DRAWING M-5.
- 49 INSTALL 1" WELD-OUT LET
- 50 INSTALL ENO SERIES 700 ENO SONIC LEVEL SENSOR ON 2" TUBE.
- 51 PROVIDE SECOND SPARE 2" TUBE AND CAP.



PUMP PIPING SECTION A
SCALE: 1/4" = 1'-0"



CONCRETE PIPE SLEEVE SECTION 1
NOT TO SCALE



DISCHARGE PIPING SECTION B
SCALE: 1/4" = 1'-0"

AS-BID PLANS

1-800-422-4133
DIG ALERT

UNDERGROUND SERVICE ALERT
AT LEAST TWO WORKING DAYS PRIOR TO EXCAVATING

PLAY IT SAFE. DIAL BEFORE YOU DIG!

REV	DESCRIPTION	ENGR	DATE	APPD	DATE

REVISOR'S INITIALS: []
REVISIONS: []
REVISED PER ADDENDUM # 2



PLANS PREPARED BY:
CIVILTEC engineering inc.
General Civil, Municipal, Water and Wastewater Engineering, Planning, Construction Management and Surveying
118 West Lime Avenue
Monrovia, Ca. 91016
Phone: (626) 357-0588
Fax: (626) 303-7957

THREE VALLEYS MUNICIPAL WATER DISTRICT
1021 E. MIRAMAR AVENUE
CLAREMONT, CA 91711
(909) 621-5568

DESIGNED BY: CSH
DRAWN BY: JM / MM / JG

CHECKED BY: CSH
DATE: APRIL 2021

SCALE: AS SHOWN
FILE NO.:

THREE VALLEYS MUNICIPAL WATER DISTRICT		PROJECT NO.
MIRAGRAND WELL EQUIPPING IMPROVEMENTS		58463
WELL PIPING SECTIONS		DRAWING NO.
		M-2
		SHEETS NO.
		14 OF 49

X:\2020\20200505-00-TWMD-MIRAGRAND WELL EQUIPPING (DWG)\SHEETS\20200505.DWG (05-19-21 9:41:26AM)